

VISION™

SCISSOR LIFT TABLES

Bishamon®



Vision with optional turntable top

Vision Series Lift Tables are versatile and heavy-duty work positioners. These electro-hydraulic scissor lift tables are available in 1500 to 6500 lb. capacities with vertical travels of 24, 36 and 48 inches. Lifts feature lowered heights of 7.06 to 7.75 in., depending on capacity and vertical travel. Vision lifts offer unsurpassed safety features and are provided in a wide range of platform sizes.

Designed from the ground up, Vision lifts incorporate new design features that provide unequalled performance and unsurpassed safety features. Vision lifts comply with ANSI standards as well as most requirements of the European CE standard for lift tables. They meet or exceed the required safety clearances on guards, as well as performance and stability requirements.

Vision lifts increase productivity and reduce worker strain in today's harsh industrial environments. By lifting and accurately positioning the load, Vision lifts eliminate unproductive lifting and stretching that ultimately leads to worker fatigue and injuries. Optional turntable models provide the added benefit of rotating loads easily. Vision Lifts are designed and manufactured to meet the toughest working conditions and safety standards in the world. They offer years of trouble-free operation and reflect over 50 years of Bishamon performance.

Bishamon

Bishamon Industries Corporation

5651 East Francis Street

Ontario, California 91761-3601

(909) 390-0055 • (800) 358-8833

Fax (909) 390-0060

www.bishamon.com

Warranty - Bishamon Industries Corp. ("Bishamon") warrants its products to be free from defects in material and workmanship for a period of one (1) year from the date of initial shipment. This warranty shall not apply to any misuse, mishandling, accident, shipping, alteration, or unauthorized repair of any Bishamon product or part. For complete details of warranty, please contact Bishamon at 800-358-8833.

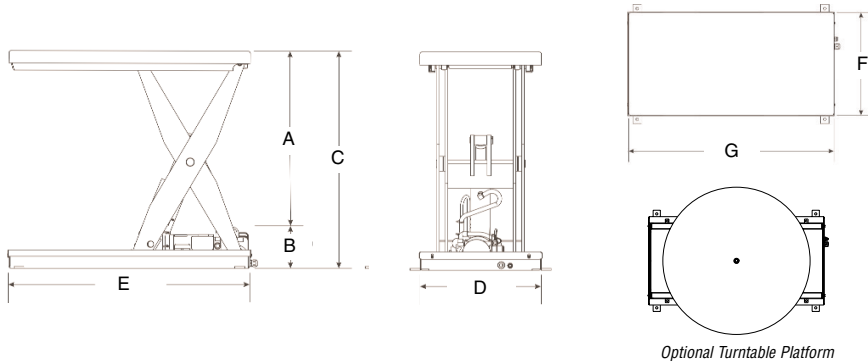


VISION™

SCISSOR LIFT TABLES

Working Harder To
Make Your Life Easier

Vision Series Scissor Lift Table Dimensions



Optional Turntable Platform

Selector Table for Vision Lift Tables

Model	Travel (in.) (A)	Capacity (lbs.)	Lowered Ht. (in.)		Raised Ht. (in.)		Base Size (in.) (D) x (E)	Platform Size (in.)		
			Standard (B)	Turntable	Standard (C)	Turntable		Standard (F) x (G)	Maximum (F) x (G)	Turntable (H)
VIS-025-24	24	2,500	7.06	8.81	31.06	32.81	24 X 41	24 X 41	48 X 60	42 dia.
VIS-035-24	24	3,500	7.13	8.88	31.13	32.88	24 X 41	24 X 41	48 X 60	42 dia.
VIS-050-24	24	5,000	7.13	8.88	31.13	32.88	24 X 41	24 X 41	48 X 60	42 dia.
VIS-065-24	24	6,500	7.13	8.88	31.13	32.88	24 X 41	24 X 41	48 X 60	42 dia.
VIS-025-36	36	2,500	7.06	8.81	43.06	44.81	24 X 48	24 X 48	48 X 72	42 dia.
VIS-035-36	36	3,500	7.44	9.19	43.44	45.19	24 X 48	24 X 48	48 X 72	42 dia.
VIS-050-36	36	5,000	7.50	9.25	43.50	45.25	24 X 48	24 X 48	48 X 72	42 dia.
VIS-065-36	36	6,500	7.50	9.25	43.50	45.25	24 X 48	24 X 48	48 X 72	42 dia.
VIS-015-48	48	1,500	7.38	9.13	55.38	57.13	30 X 62.5	30 X 62.5	48 X 96	42 dia.
VIS-025-48	48	2,500	7.38	9.13	55.38	57.13	30 X 62.5	30 X 62.5	48 X 96	42 dia.
VIS-035-48	48	3,500	7.50	9.25	55.50	57.25	30 X 62.5	30 X 62.5	48 X 96	42 dia.
VIS-050-48	48	5,000	7.50	9.25	55.50	57.25	30 X 62.5	30 X 62.5	48 X 96	42 dia.
VIS-065-48	48	6,500	7.75	9.50	55.75	57.50	30 X 62.5	30 X 62.5	48 X 96	42 dia.



Flow limiting valve provides a controlled descent in the event of a hydraulic line rupture



Integral Base Frame Sensor for operator safety



Compact, internal power unit and reservoir combination



Hinged maintenance catches



Optional turntable top has formed edges with tight clearance to prevent hand injuries

Standard Features

- Complies with ANSI standards for lift tables
- Integral base frame sensor for safety compliance when the platform does not exceed the base frame size by 5.90 in. (150 mm) per side, a current CE requirement
- 24 volt operator control system
- UL Recognized Power Unit (UL 201 "standard for Safety of Garage Equipment")
- Unitized, compact, internal power unit and reservoir combination
- Pressure compensated flow control at power unit
- Flow limiting valve at each cylinder
- Cylinder rod end reservoir return line connected to power unit reservoir
- Hinged maintenance catches painted safety yellow
- Entrapped scissor rollers for increased stability
- Self-lubricating, maintenance free bushings at all pivot points
- Heavy-duty torque tube at scissor center pivot
- Pin connection at both ends of hydraulic cylinder(s)
- Available in 115V 1ph., 230V 1ph., 208-230V 3ph., or 460V 3ph.

Accessories

- Foot control
- Accordion bellows skirting
- 40.5 in. turntable top
- Semi-live or caster portability
- Beveled toe guards for pit mounted units



DISTRIBUTED BY:

5651 East Francis Street
Ontario, California 91761-3601

(909) 390-0055 • (800) 358-8833
Fax (909) 390-0060

www.bishamon.com