

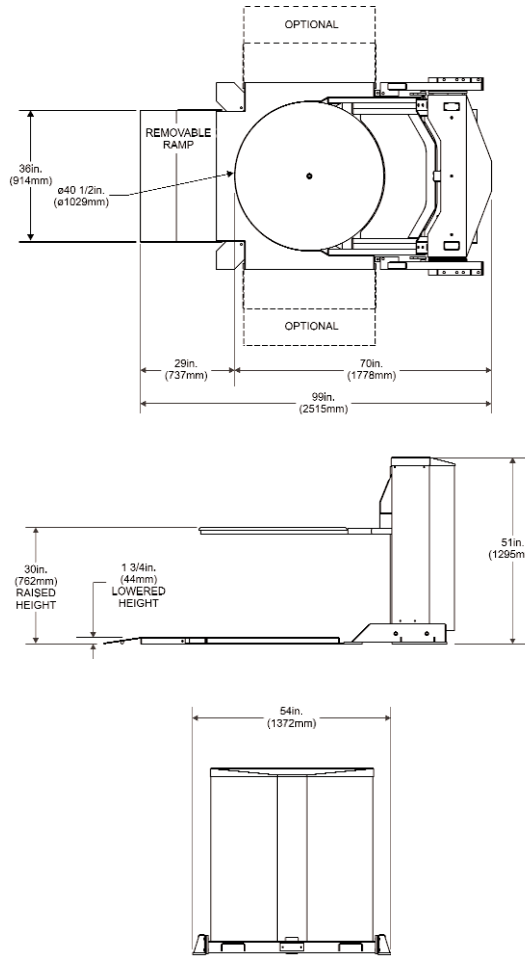
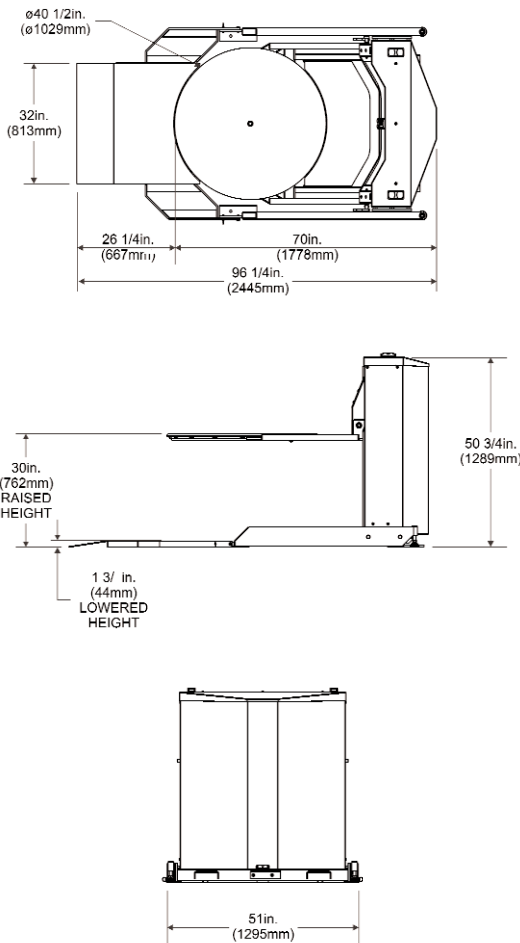


# EZ OFF®

Pallet Truck Accessible Work Positioners

Working Harder To  
Make Your Life Easier

## EZ Off Series: EZO-25E & EZO-25E-3S



### Standard Features:

- Feet-clear safety circuit automatically stops the platform descent at 9.00 in. above the floor surface preventing unintentional foot entrapment under the platform or pallet
- Safety warning lights and alarm alert operator before the platform lowers from the intermediate safety stop
- Safety covers guard mast, roller and chain wheel pinch points
- Hydraulic power unit with unitized control valves and reservoir
- High torque, 1 HP, 115 V, 1PH electric motor
- 40.50 in. dia. rotating disk with 32 precision ball bearings
- Automatic disk lock prevents the disk from rotating in the lowered position
- Integrated approach ramp
- Lifting tabs and platform catches for transporting with a forklift
- Rear leveling feet (Model EZO-25E)
- Model EZO-25E-3S provides three ramp position options

Selector Table for EZ Off Series

Model	Operation	Voltage	Capacity (lbs)	Lowered Height (in)	Raised Height (in)	Maximum Pallet Size (in)	Ramp Positions	Installation	Shipping Weight
EZO-25E	Elec-Hydraulic	115V, 1PH	2500	1.75	30.00	44 x 48	1	Not Anchored	900
EZO-25E-3S	Elec-Hydraulic	115V, 1PH	2500	1.75	30.00	44 x 48	3	Anchor To Floor	900

\* Floor anchors are optional for EZO-25E and are required for EZO-25E-3S.

DISTRIBUTED BY:

**Bishamon®**

Bishamon Industries Corporation

5651 East Francis Street  
Ontario, California 91761-3601  
(909) 390-0055 • (800) 358-8833  
Fax (909) 390-0060

[www.bishamon.com](http://www.bishamon.com)